

CANDY

CVMA 60N

GLASS CHIMNEY



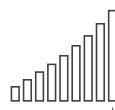
LED LAMP



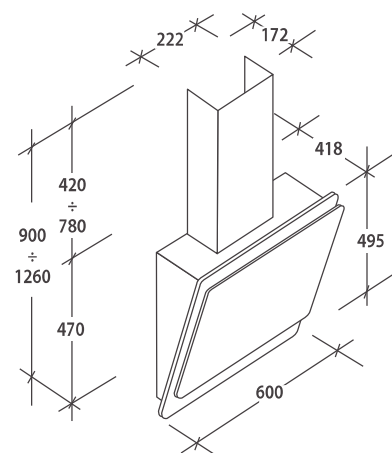
ALUMINIUM
GREASE FILTER



TOUCH
CONTROL



BOOSTER



DECORATIVE HOOD 60CM

- Touch Controls
- 3 Speed Levels + Booster
- Max Suction power 611 m³/h
- 2x1.5W LED lamps
- Motor Power 210W
- 1 Aluminium Grease filter

- 2 Carbon Filters
- Min. Speed noise 62 dB(A)
- Recirculating / Ducted mode
- Timer
- Total Power 213W
- Black Casing/Tempered Glass

36900730 CVMA 60 N

Model	CVMA60N
Product code	36900730
EAN code	8016361920828
Brand	CANDY
Type of Hood	DECOR GLASS
Dimensions (cm)	60
Finish/Color	Black casing+ tempered black glass
Voltage	220-240 V
Frequency	50/60 Hz
Motor (number x power)	1 x 210 W
Lighting (number x power - type)	2x1.5W Multi bulb LED light(LE01)
Total power	213 W
Controls	Touch control(TO01)
Speed levels	3 speeds + booster
RU - Noise level (dB)	62
Max air flow in normal use QMAX (m3/h)	502
Air flow at intensive/boost setting QBOOST (m3/h)	611
A-weighted Sound Power Emission EN60704 at minimum speed DBMIN (dBa)	58
Filters antigrease (number x type)	1 x aluminium
Carbon filters (code / description / pcs x pack)	FCR17 (2pcs x 1pack)
Carbon filters (included / optioNol)	Included
Timer (included / minutes)	included / 5mins quick timer
Filter saturation	-
Special function (clean air)	-
No return valve	Yes
Air outlet (mm)	150
Reduction (mm)	120mm adaptor
Wire lenght	1,50 mtr
Plug type	No
Product dimensions (mm)	600x418x9000-1260
Packaging dimensions (mm)	650x570x520
Net weight (kg)	19
Gross weight (kg)	21